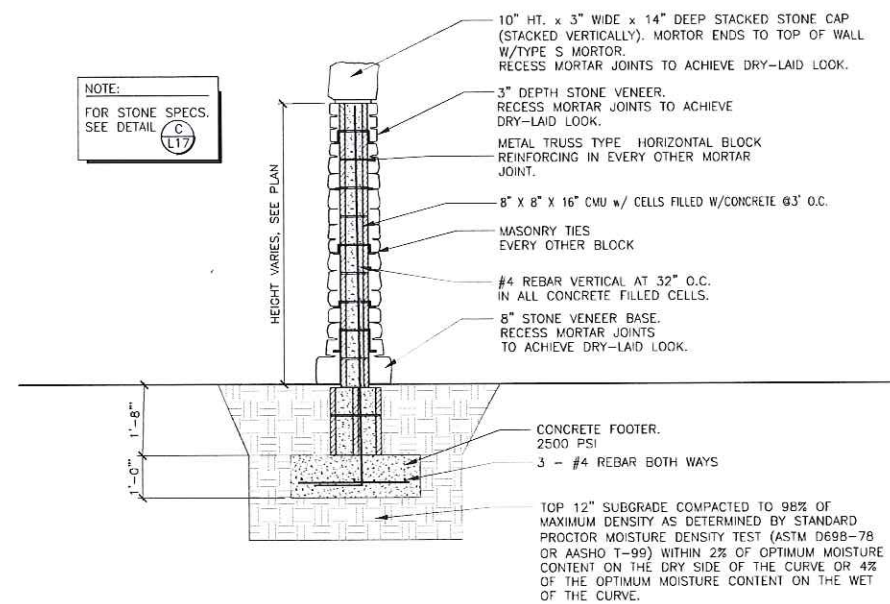
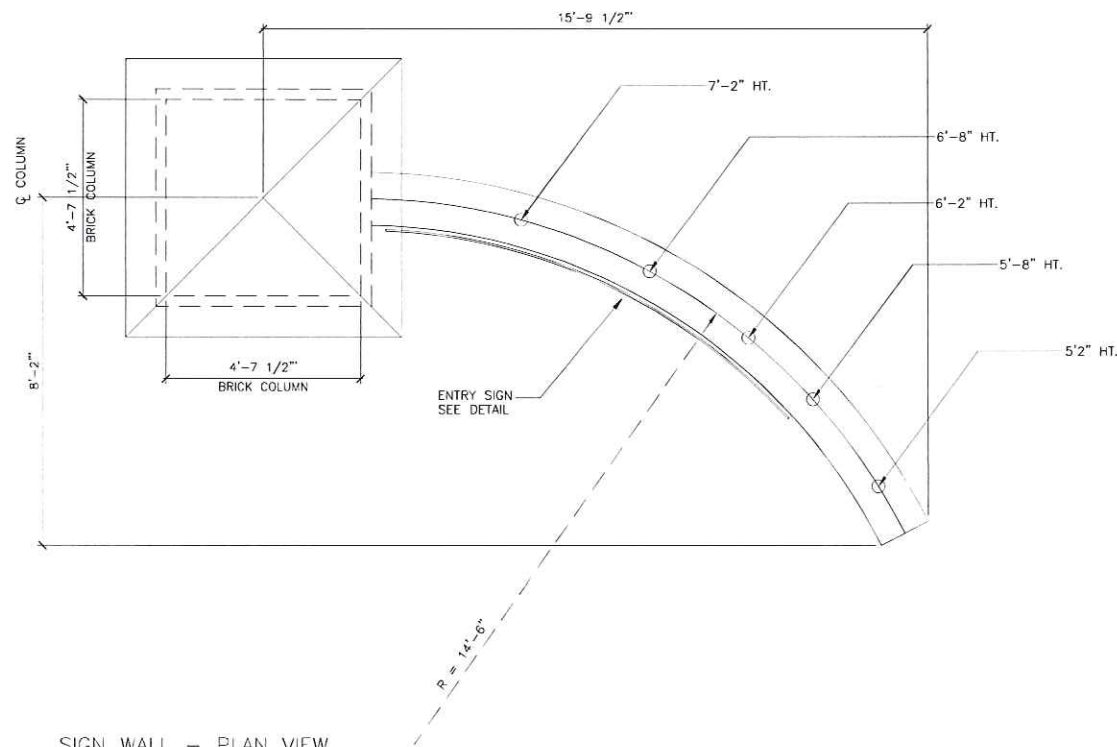


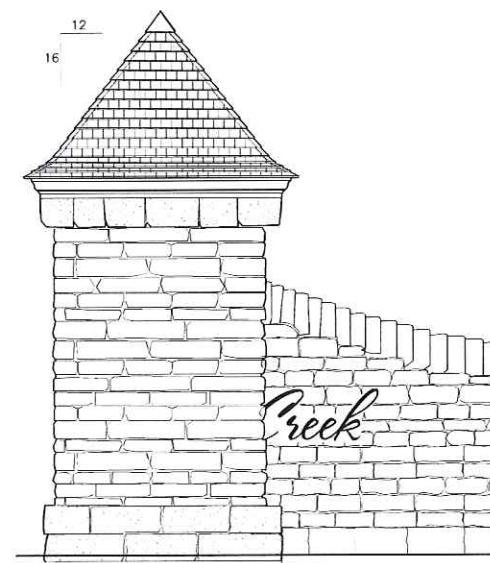
FRONT ELEVATION OF SECONDARY SIGN WALL
 SCALE: 1/2" = 1'-0"



CROSS SECTION THROUGH WALL - SECTION VIEW
 SCALE: 1/2" = 1'-0"



SIGN WALL - PLAN VIEW
 SCALE: 1/2" = 1'-0"



SIDE ELEVATION OF SIGN WALL
 SCALE: 1/2" = 1'-0"

RECEIVED
MAR 29 2018
 CLEARCREEK TOWNSHIP
 ZONING DEPT.

VILLAGES OF WINDING CREEK
 Stone Creek Boulevard
 Warren County, Ohio

UNDERGROUND UTILITIES
 Two Working Days
 BEFORE YOU DIG
 Call 800-362-2764 (Toll free)
 OHIO UTILITIES PROTECTION SERVICE
 NON-MEMBERS
 MUST BE CALLED DIRECTLY